

Rev. 05/09/19

INSTALLATION INSTRUCTIONS SHOWER THERMOSTAT

NO

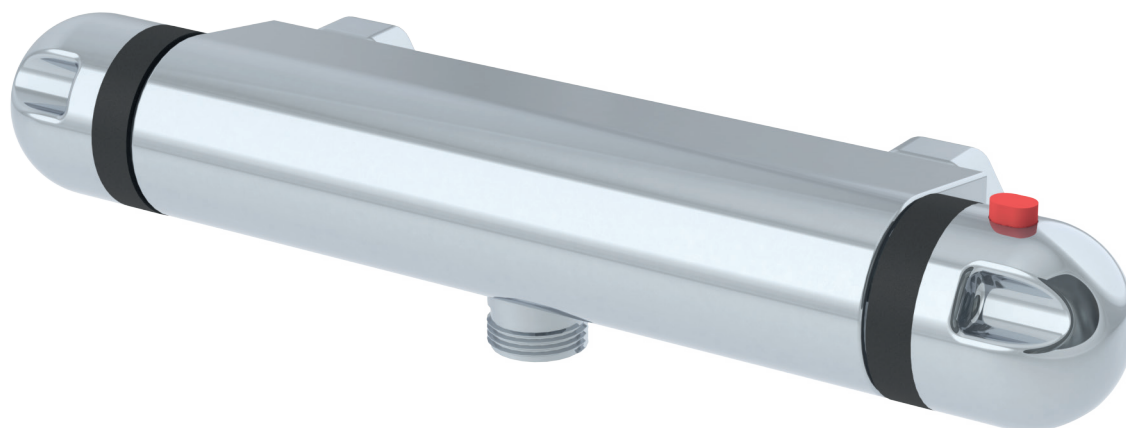
ENG

SE

DK

58820 Bano shower thermostat 150 °C

BANO EXPOSED THERMOSTATIC SHOWER VALVE



BANO AS

Industrivegen 22
6823 Sandane-Norge
Phone: +47 57 86 98 00
post@bano.no
www.bano.no

BANO AB

Hammarby Allé 91
120 63 Stockholm - Sweden
Phone: +46 (0)8 30 11 10
post@bano.se
www.bano.se

BANO A/S

Møllehaven 8
4040 Jyllinge - Danmark
Phone: +45 26 24 55 14
post@bano.dk
www.bano.dk



EN/Bano shower thermostat

58820 Bano exposed thermostatic shower valve 150 °/c

GENERAL CHARACTERISTICS

The Valve is suitable for all water heating systems provided it is installed correctly by a competent and qualified installer. Please refer to installation diagrams.

OPERATING SPECIFICATIONS

Hot water supply temperature:

Maximum: 85°C

Minimum: 5°C

Advisable: 65°C

Operating Pressure

Maximum: 5 Bar

Minimum: 0,1 Bar

Hot and cold operating pressure should be kept as balanced as possible in order to maintain maximum efficiency. When the supply pressure is higher than a 5 Bar a pressure reducing valve should be fitted before the shower valve.

TECHNICAL DATA

EN-1111:2017

Flow rate: 0,44 l/s at 300kPa

Sound classification: 1

Pressure rating: PN15

Material: brass, plastic

Shower mixer: Thermostatic mixing valve

Temperature safety stop: 38°C

Weight: 1645 gram N, 2000 g B

Center distance: C/C 150 mm

Wall connection: 3/4"

Hose connection: 1/2"

Available documentation:

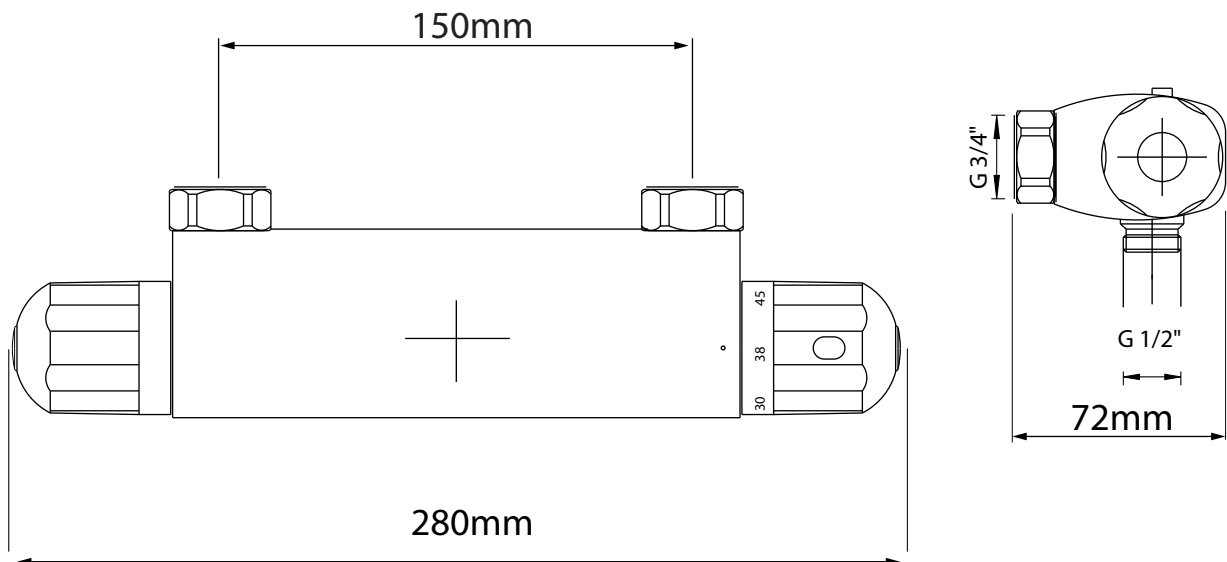
DS (ETA) Product certificate, DoP, SINTEF Nr. 3452

Shower head, hose, rosettes and connection couplings is not included (ordered separately).

INSTALLATION

- **IMPORTANT:** Rinse pipe work carefully prior to fitting the mixer.
- Install mixer with the water outlet facing downwards and the temperature control to the right.
- The hot water supply connects to the left hand marked with a red dot. The flexible shower hose fits the outlet at the bottom of the mixer.
- Place sealing washers inside mixer nuts. Screw unions into mixer nuts and tighten with 30mm spanner.
- Turn on water supply and check for leaks.
- The valve is set at 38°C. Check this is the case by using a thermometer in the water flow from the valve.

You can adjust the calibration of the mixer to suit individual requirements.



Bano provides a 3-year warranty against manufacturing defects: i.e. if such defects appear within 3 years of installation, customers can replace the defective item with a corresponding properties.